



High Speed Lighting System

Over the last 15 years VISOL has installed lighting systems to the automotive industry for crash test applications. With our enhancing high technology, comparable configurations had been installed and are in successful operation at: Delphi Korea, Ssangyong Motors, Hyundai Motors, Korea Automobile Test & Research Institute, Korea Insurance Development Institute, Automotive Parts Innovation Center, Autoliv Korea, etc. in Korea and Geely Automobile, GATC, NAST in China.

Advantage of LED

- No IR and UV emissions
- Cold temperature operation
- No time to warm up
- Much longer life time(30,000h) than Metal Halide(HMI)
- Flicker free in high speed imaging
- LED lighting heat dissipation
- Energy Saving



**Creativity of New Technology
Passion of Engineering
Confidence on Product!**

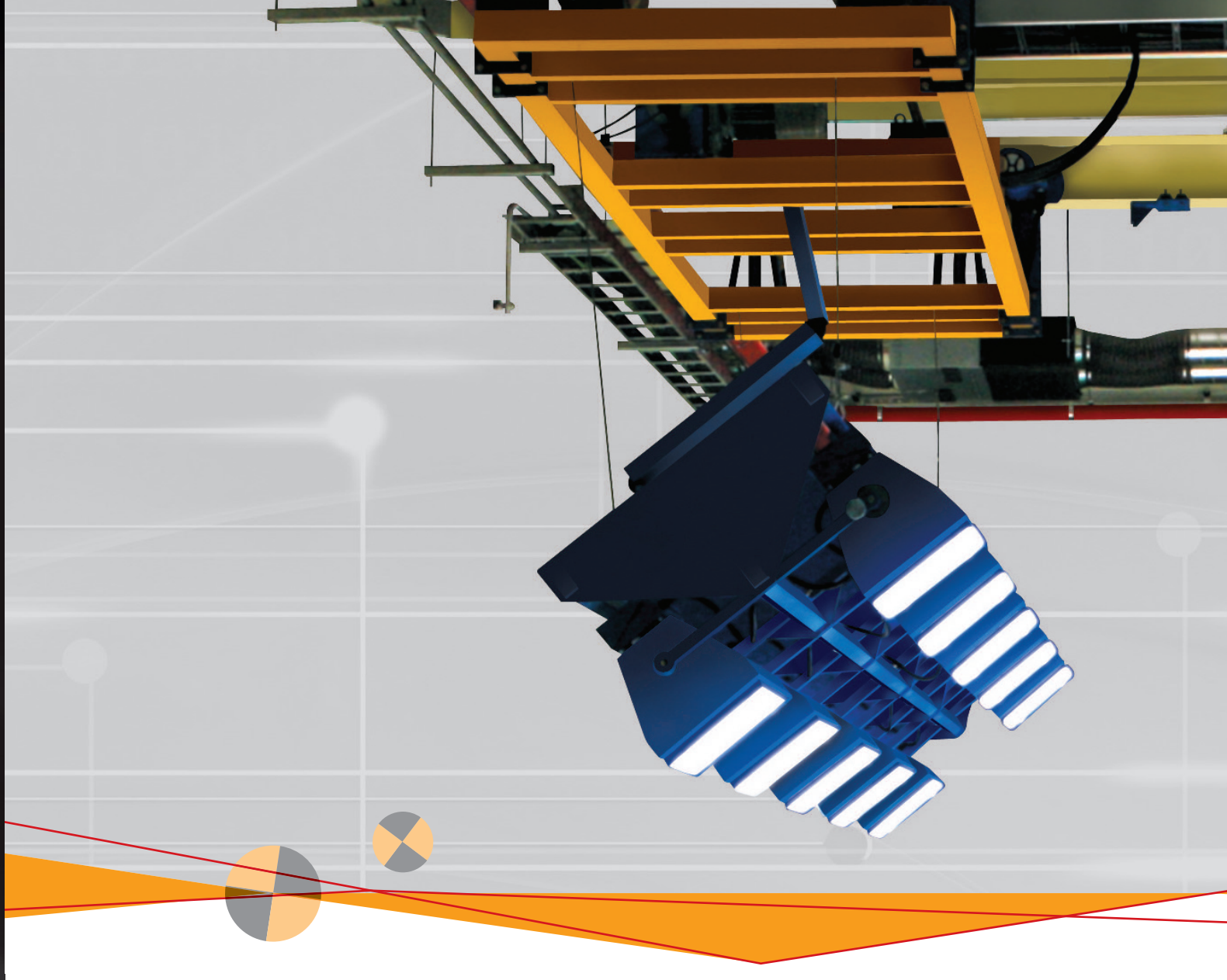
주식회사 비솔 | 부산 영상계측연구소
423-829 경기도 광명시 월산동 626-3 광명테크노타운 601호
TEL. 02-2612-2111
FAX. 02-2612-0560



VISOL Inc. | Image Research Center
#601, Gwangmyeong Techno-Town, 626-3 Cheolam-dong,
Gwangmyeong-gu, Kyunggi-do, Korea
TEL. +82 2 2612 2111 FAX. +82 2 2612 0560



High Speed Lighting System



High Speed Lighting System for The Best Image building

Easy to use control system for users to allow operate all the configured test items such as lightings (PIT & AUX), positioning systems simultaneously.



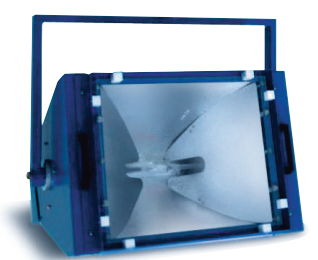
High Speed Lighting System

Application

- Automobile Crash Test(Frontal / Rear / Side / Car to Car)
- Automobile Sled Test
- Automobile Rollover
- Pedestrian Test
- Automobile Safety Test(Airbag, Seat, Seat Anchorage, Seat Belt, Etc)
- Various High Speed Imaging Test

General Specification

- Light Source : HMI(Metal Halide) 4KW or LED
- Color Temperature : 6,000K (Daylight color temperature)
- Light Modulation : No Flicker effects up to 10,000 fps
- Control : The control of the lighting system should be manual & Automatic.
An interface to enable external overall test sequence control needs to be established.
- Uniformity of Illumination Area : +/- 10%



Luminary



Power Supply

VSEPS-4000

- Working Temp (°C) : -10°C ~ +60°C
- Humidity(%) : No dew
- Lamp Type : Metal Halide 4,000W
- Lamp Average Life time : 750h
- Color Temperature(K) : Approx. 6000K
- Preheating time : ≤100s
- Cooling time when turn it off : ≤10min
- UV Cutoff : 280nm or Shorter
- Dimension : 540(W)×400(D)×470(H)
- Weight : 18kg

- Input : 220V 3PH, 380V 3PH/N
- Output & Operation Time
 - 2,000W – No Limits
 - 4,000W – No Limits
 - 8,000W – 10s or more
- Ambient Temp(°C) : 0°C ~ +30°C(No Dew)
- Flicker free Up to : 10,000fps
- Output Stability : ±1%
- Dimension : 435(W)×540(D)×177(H)



VSL6080

- Working Temp (°C) : -20°C ~ +45°C
- Humidity(%) : No dew
- Lamp Type : LED 600W
- Lamp Average Life time : 30,000 Hour
- Color Temperature(K) : Approx. 6000K
- Input : Dimming Control / Software Control / External Trigger / Wireless Control(Optional)
- Output : On/Off Status Feedback
- Protection : Over Current / Over Voltage / Over Temp(°C). Low Voltage / Short Circuit
- Preheating time : None
- On Time : Maximum 3Min. (Dimming Control), 30Sec. (External Trigger Control)
- Wavelength: Visible Wavelength (No IR, No UV)
- Input Voltage : AC 80 ~ 220V
- Dimension : 205(W)×165(D)×460(H)
- Weight : 8kg

VX007-X

VX007-C12/24

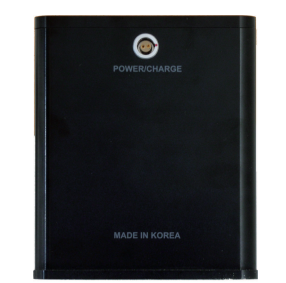
- Up to 4EA VX007-L12 / 24 can be connected
- Input : Camera Strobe Signal (Rising or Falling)
- Dimension : 140mm×120mm×27mm

VX007-L12/24

- Beam Angle : 80 degree
- Ntensity(Lux) : 16,000 lux @ 0.5m
- Type : LED 150W (for Each Head) with Strobe
- Output : No Limitation (When 20% Duty Ratio)
- Color Temperature(K) : Approx. 6000K
- Preheating time : None
- Wavelength: Visible Wavelength (No IR, No UV)
- Input Voltage : DC 12V / 24V
- Dimension : 112mm×95mm×28mm

VX007-B12/24

- Input Power : AC220V / 60Hz
- Output Power : DC12V / 24V



VSL120XX

- Working Temp (°C) : -20°C ~ +45°C
- Humidity(%) : No dew
- Lamp Type : LED 1.2KW
- Lamp Average Life time : 30,000 Hour
- Color Temperature(K) : Approx. 6000K
- Input : Dimming Control / Software Control / External Trigger / Wireless Control(Optional)
- Output : On/Off Status Feedback
- Protection : Over Current / Over Voltage / Over Temp(55°C). Low Voltage / Short Circuit
- Preheating time : None
- On Time : Maximum 3Min. (Dimming Control), 30Sec. (External Trigger Control)
- Wavelength: Visible Wavelength (No IR, No UV)
- Input Voltage : AC 80 ~ 220V
- Dimension : 250(W)×165(D)×460(H)
- Weight : 14kg



Business Performance

- Hyundai Motor Company (HMC)
- Renault Samsung Motors
- Autoliv Korea
- Korea Delphi Automotive Systems Corporation
- Daewoo Precision Industries
- Ssangyong Motor Company
- Korea Automobile Testing & Research Institute
- Korea Insurance Development Institute
- Automotive Parts Innovation Center (Ulsan Industry Promotion Techno Park)
- Korea Environment & Merchandise Testing Institute (KEMTI)
- LG Chem, Ltd.
- Samsung Industries Ltd.
- High Speed Camera Suppliers
- GATC (China)
- Geely Automobile (China)
- NAST (China)
- Lucky Baby
- Max-Inf
- etc.

